

# TOILETTREE WARRANTY

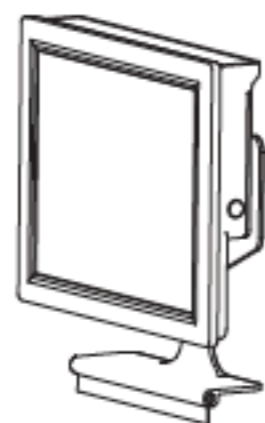
ToiletTree Products provides a 30 Day, no risk, unconditional 100% Money-Back Guarantee. If you are not completely satisfied with your purchase, simply return it within 30 days with a dated proof of purchase and we will gladly refund your money, in full, no strings attached.

ToiletTree warrants this product to be free from all defects for a period of 1 year from the date of original purchase. This warranty does not apply to normal wear or damage due to accident, abnormal use, misuse or neglect. Any defective item will be replaced, at no charge, upon the reasonable confirmation by ToiletTree of its defective condition, if returned with proof of purchase to an authorized ToiletTree dealer or directly to ToiletTree Products Replacement, 517 Route 9W North, Upper Nyack, New York, 10960. Neither ToiletTree nor any authorized ToiletTree dealer shall be liable for consequential damages arising from this warranty, unless otherwise provided by law.



## LED Fogless Mirror

### Instruction manual

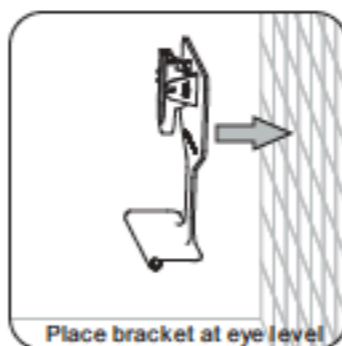
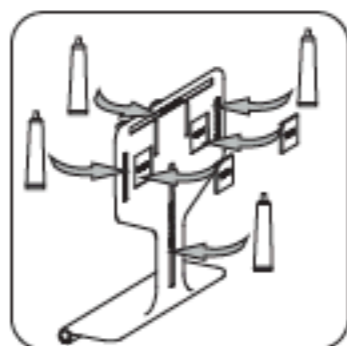


In order to enjoy the convenience of your LED fogless mirror, please note the follow directions.

- 1 **Clean** the shower surface to remove any soap film etc. **Rinse** and allow to dry. Give area a final wipe with rubbing alcohol.

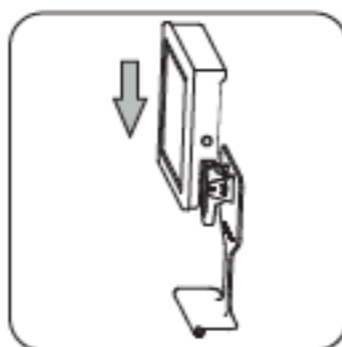


- 2 Install the bracket using **both** the double sided tape and **entire tube** of **removable** silicone adhesive provided. (Please note: The mirror will not stay on the wall with tape alone.)



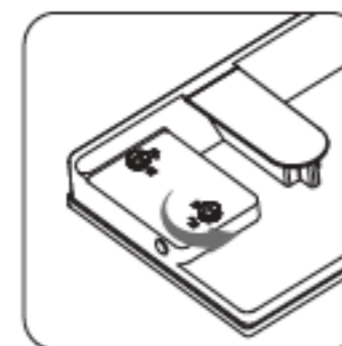
- \* **Allow 24-hours** for the silicone adhesive to dry **before** attaching the mirror to the bracket.

- 3 Attach the mirror to the bracket after silicone adhesives have fully dried.

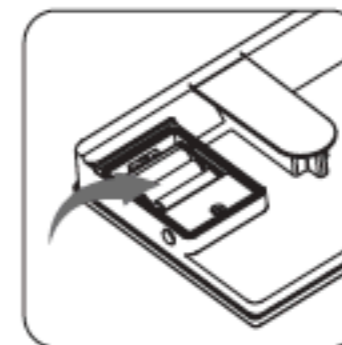


### Battery instructions

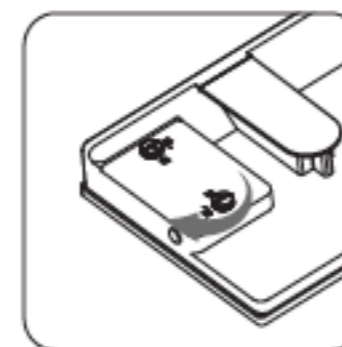
- 1 Make sure the mirror is dry when **inserting the batteries**. This mirror is powered by 3 1.5V AA size batteries. Turn the battery door knob to open "O" position by using a coin, and open the battery door, be sure to use new fresh batteries.



- 2 Insert the batteries into battery compartment, make sure the battery polarity match the label showed.

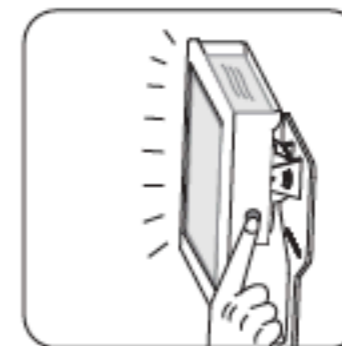


- 3 Firmly push the battery door back and turn the battery door knob to closed "C" position.



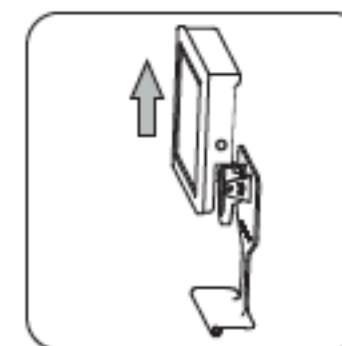
### Lighting

- 1 Press the power button 1 time and the LED lights around the mirror will light up high.
- 2 Press the power button 1 time again and then the LED lights around the mirror will light up low.
- 3 Press the power button one more time, the LED light will turn off.

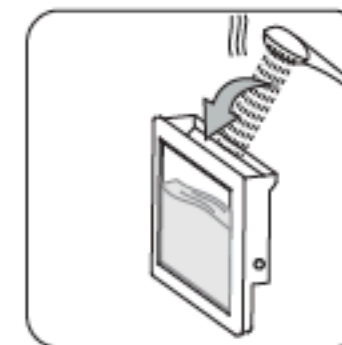


In order to achieve the best results of the TOILETTREE fogless mirror you must refill the mirror with hot shower water **before every use.**

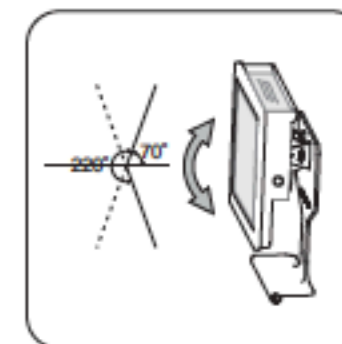
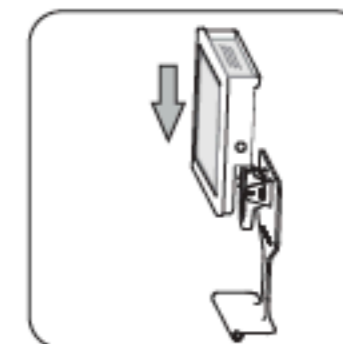
- 1 Remove mirror off bracket.



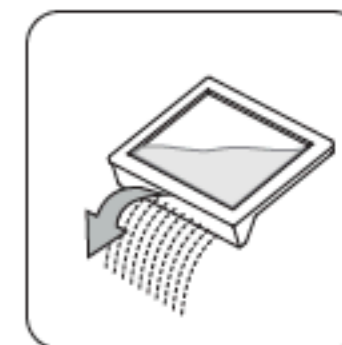
- 2 Fill reservoir with hot shower water. (Please note: The water needs to be warm/hot)



- 3 Place the mirror back onto bracket, and adjust mirror up or down.



- 4 After use, remove mirror off bracket and empty reservoir of water.



### Care Instructions:

- To prevent spotting on the mirror surface, clean with clean water and provided squeegee.
- Do not clean with any liquid glass cleaners.
- Do not use abrasive cleaners as they will scratch the mirror glass and frame finish.

Need help? Have a product question? Feedback?  
Contact us: [Info@ToiletTreeProducts.com](mailto:Info@ToiletTreeProducts.com) or Toll Free 1-888 251-0985

